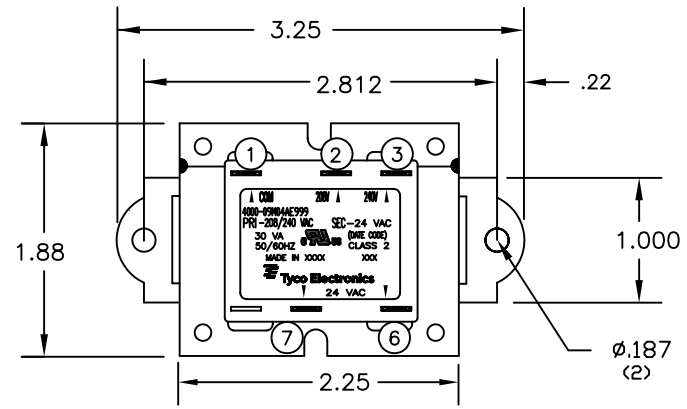


THIS DRAWING IS UNPUBLISHED. RELEASED FOR PUBLICATION
 © COPYRIGHT BY TYCO ELECTRONICS CORPORATION. ALL RIGHTS RESERVED.

LOC	DIST	REVISIONS					
GZ	00	P	LTR	DESCRIPTION	DATE	DWN	APVD
		B		ECR-08-004873	28FEB08	KN	KH

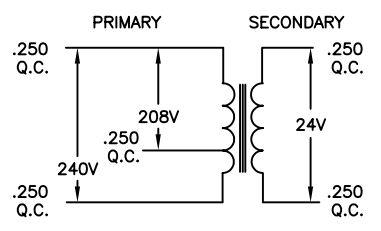
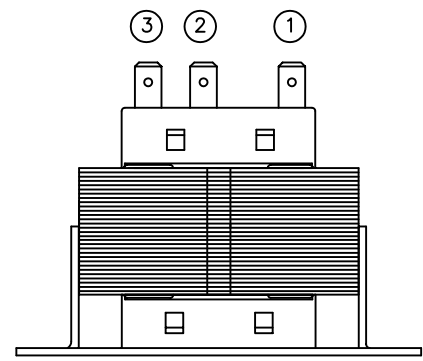
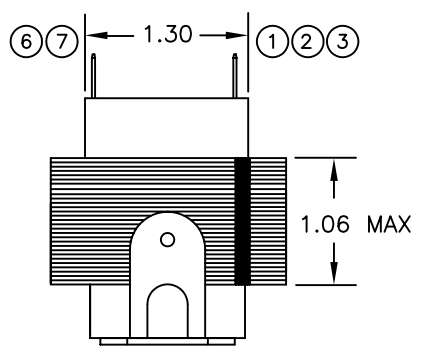
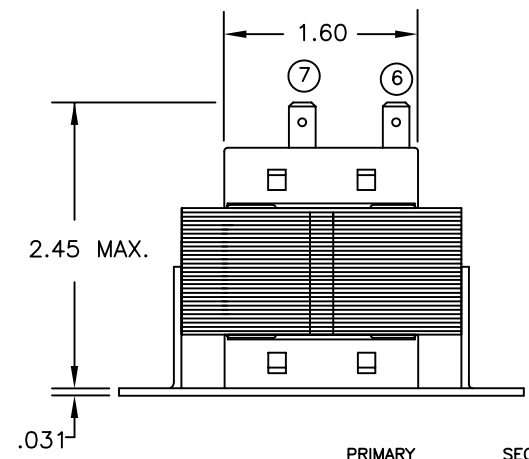


PRIMARY			
TERMINAL NO.	1	2	3
VOLTAGE	COM	208	240
TERMINAL WIDTH	.250	.250	.250
TERMINAL THICKNESS	.032	.032	.032

- NOTES
- DIMENSIONS FOR REFERENCE ONLY.
 - WINDING PROTECTION—INHERENTLY LIMITING

CERTIFICATION: UL/CUL FILE NO. E87824		
SECONDARY		
TERMINAL NO.	6	7
VOLTAGE	24	VAC
TERMINAL WIDTH	.250	.250
TERMINAL THICKNESS	.032	.032

ALL Q.C. .250 X .032



SCHMATIC

TYCO ELECTRONICS PART NUMBER
3-1611450-4

THIS DRAWING IS A CONTROLLED DOCUMENT.		DWN	M.DAVIS	23FEB04	Tyco Electronics Corporation Harrisburg, PA 17105-3608					
DIMENSIONS: INCHES		CHK	K.HOLSCHUH	23FEB04						
TOLERANCES UNLESS OTHERWISE SPECIFIED:		APVD	K.HOLSCHUH	23FEB04						
0 PLC ± - 1 PLC ± - 2 PLC ± .01 3 PLC ± .005 4 PLC ± - ANGLES ± 1°		PRODUCT SPEC	NAME							
MATERIAL		APPLICATION SPEC	TRANSFORMER OUTLINE		RESTRICTED TO					
FINISH		WEIGHT	SIZE	A3	CAGE CODE	00779	DRAWING NO	C=4000-09M04AE999	REV	B
CUSTOMER DRAWING			SCALE	NTS	SHEET	1 of 1				