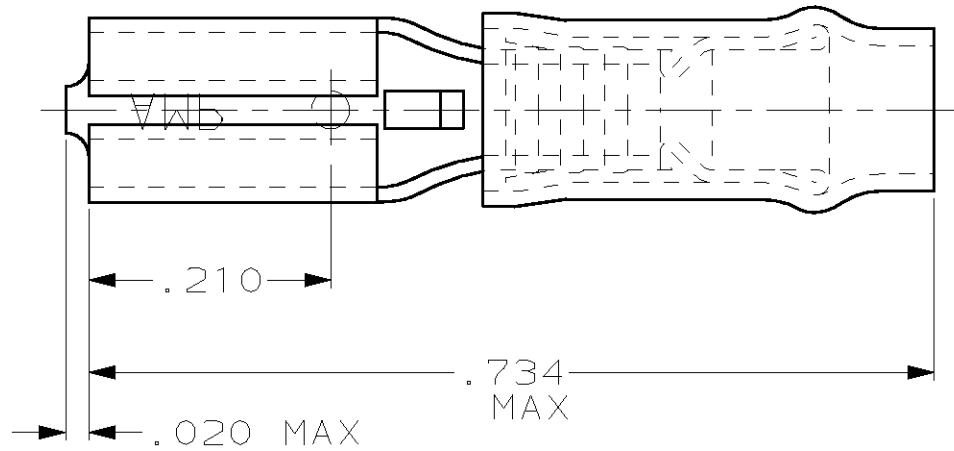
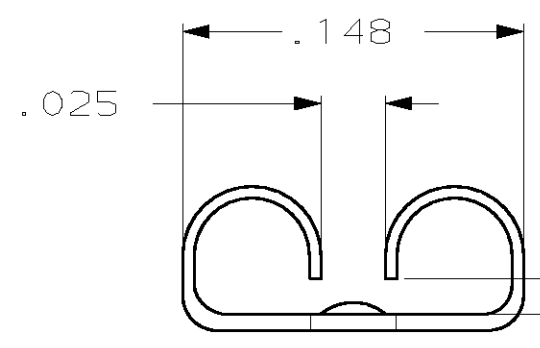
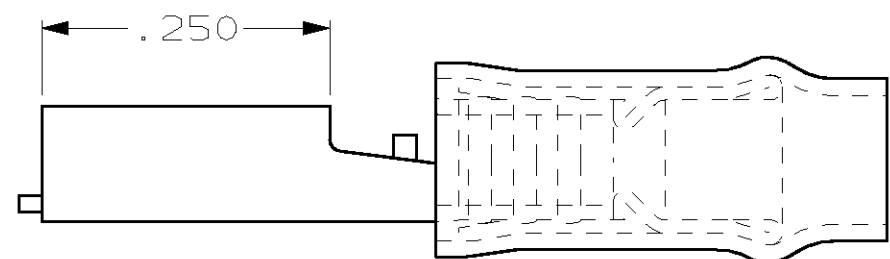


THIS DRAWING IS UNPUBLISHED. RELEASED FOR PUBLICATION ,19 .  
 © COPYRIGHT 19 BY AMP INCORPORATED. ALL RIGHTS RESERVED.

LOC		DIST		REVISIONS			
P	LTR	DESCRIPTION		DATE	DWN	APVD	
G	14	G		REV PER 0G3A-0176-02	08APR02	JR	TM



1. THIS TERMINAL TO BE SUPPLIED IN INDIVIDUAL FORM, NOT AS CONTINUOUS STRIP
2. INSULATION RANGE .100 MAX
3. TAB THK .016±.001



- FITS "110" SERIES FASTON TAB  
 (REFER TO CP-16000 FOR TAB DETAILS)

QTY	PACKAGE TYPE	PART NO
100	LOOSE PIECE, BOX	8-61048-1
-	TAPE MOUNTED	61048-2
-	LOOSE PIECE	61048-1

AMP INCORPORATED CUSTOMER SERVICE SYSTEM	
FOR ADDITIONAL PRODUCT INFORMATION OR COPIES OF DRAWINGS AND TECHNICAL DOCUMENTS	PRODUCT INFORMATION CENTER 1-800-522-6752
FOR APPLICATION TOOLING INFORMATION	TOOLING ASSISTANCE CENTER 1-800-722-1111
FOR ORDER ENTRY	1-800-526-5142

MAX RECOMMENDED OPERATING TEMPERATURE: -
VOLTAGE RATING: -
CIRCULAR MIL AREA: -

THIS DRAWING IS A CONTROLLED DOCUMENT FOR AMP INCORPORATED. IT IS SUBJECT TO CHANGE AND THE CONTROLLING ENGINEERING ORGANIZATION SHOULD BE CONTACTED FOR THE LATEST REVISION.	
DIMENSIONS, INCHES	TOLERANCES UNLESS OTHERWISE SPECIFIED:
	0 PLC ±-
	1 PLC ±-
	2 PLC ±.015
	3 PLC ±-
	4 PLC ANGLES ±-
MATERIAL BODY, BRASS .012	FINISH BODY, PRE-TIN

DWN L OLMEDA 13NOV95
CHK M ELLIS 13NOV95
APVD B BARE 13NOV95
PRODUCT SPEC -
APPLICATION SPEC -
WEIGHT -
CUSTOMER DRAWING

AMP Incorporated Harrisburg, PA 17105-3608		
NAME RECEPTACLE, 110 SERIES, FASTON™, PIDG™, WIRE SIZE, 22-18 AWG		
SIZE A3	CAGE CODE 00779	DRAWING NO C-61048
SCALE NT5	SHEET 1 OF 1	REV G