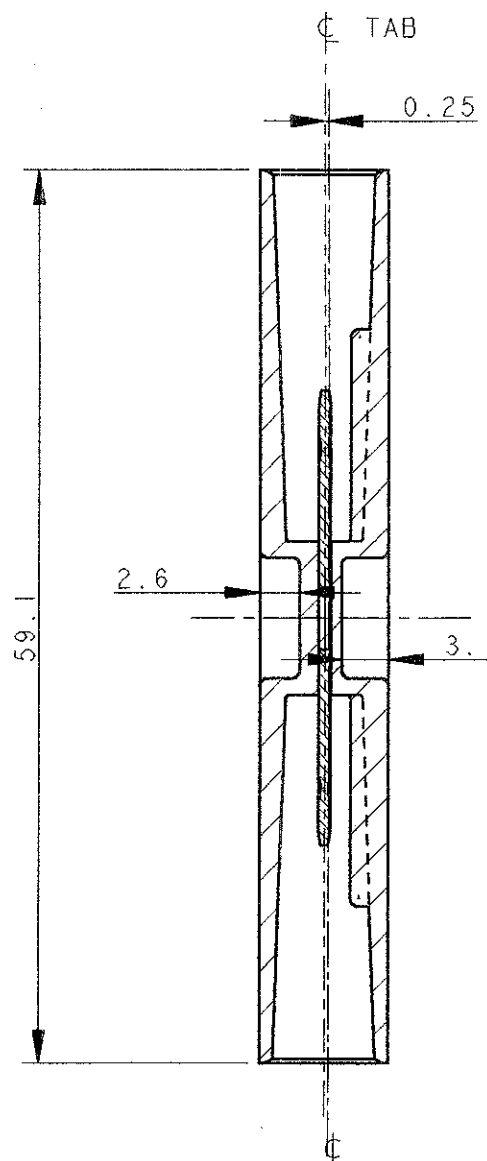
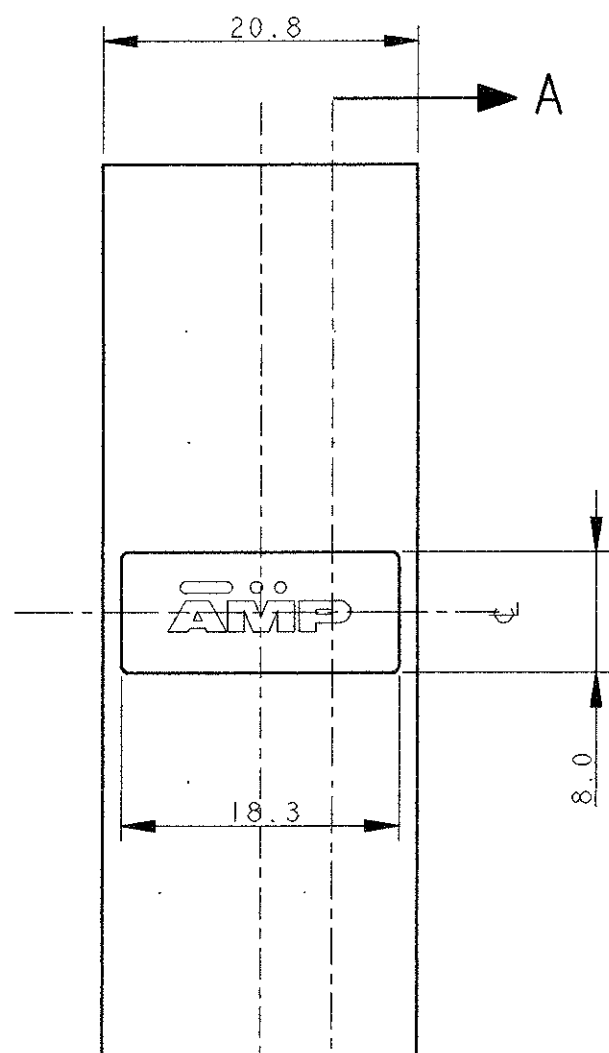
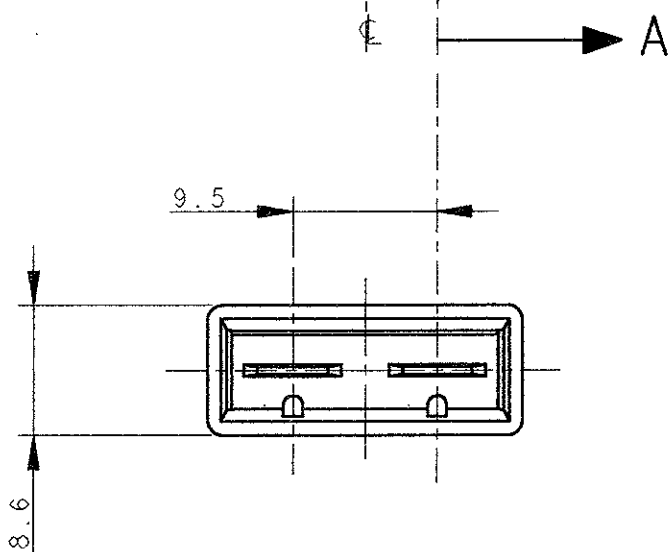


P	LTR	DESCRIPTION	DATE	DWN	APVD
S1		REVISED PER EC ET00-0172-99	17MAY99	<i>[Signature]</i>	ST
S2		REVISED PER ECO-09-026346	26NOV09	KK	AEG



SECTION A-A



1 "GLOW WIRE" TEST ACCORDING TO IEC 695-2-1

2 OBSOLETE PARTS: OBSOLETE CIS STREAMLINING PER D.RENAUD/D.SINISI

2 OBSOLETE	NEUTRO (CLEAR)	PA 6.6 NATURALE	180909-2	1	DI
	NEUTRO (CLEAR)	(PA 6.6 UNFILLED)	180909-0		DI
	COLORE (COLOUR)	MATERIALE (MATERIAL)	NUMERO DISEGNO AMP (AMP PART NUMBER)		REV.

THIS DRAWING IS A CONTROLLED DOCUMENT FOR AMP INCORPORATED. IT IS SUBJECT TO CHANGE AND THE CONTROLLING ENGINEERING ORGANIZATION SHOULD BE CONTACTED FOR THE LATEST REVISION.

DIMENSIONS: mm	TOLERANCES UNLESS OTHERWISE SPECIFIED: 0 PLC ± 1 PLC ±0.4 2 PLC ± 3 PLC ± 4 PLC ± ANGLES ±0°	DWN R. FABRIS (2MAY99)	AMP AMP Italia S.p.A. C.so F.lli Cervi 15 Collegno (TO)
		CHK C. TARTARI	
MATERIAL VED. TABELLA (SEE TABLE)	FINISH	APVD	NAME FASTON CONNECTOR, .250" SR DOUBLE CIGARETTE
		PRODUCT SPEC	SIZE A3
		APPLICATION SPEC	CAGE CODE 00779
		WEIGHT	DRAWING NO C-180909
		CUSTOMER DRAWING	SCALE 2:1 SHEET OF REV S2