

THIS COPY IS PROVIDED ON A RESTRICTED BASIS AND IS NOT TO BE USED IN ANY WAY DETRIMENTAL TO THE INTERESTS OF PANDUIT CORP.

NOTES, UNLESS OTHERWISE SPECIFIED:

| PANDUIT TOOL NO. | INSTALLS * THE FOLLOWING CABLE TIE CROSS-SECTIONS ** | WEIGHT/PC | |
|------------------|--|-----------|-------|
| | | OZ | GRAMS |
| GTH | S,HS,LH,H | 12.0 | 340.2 |

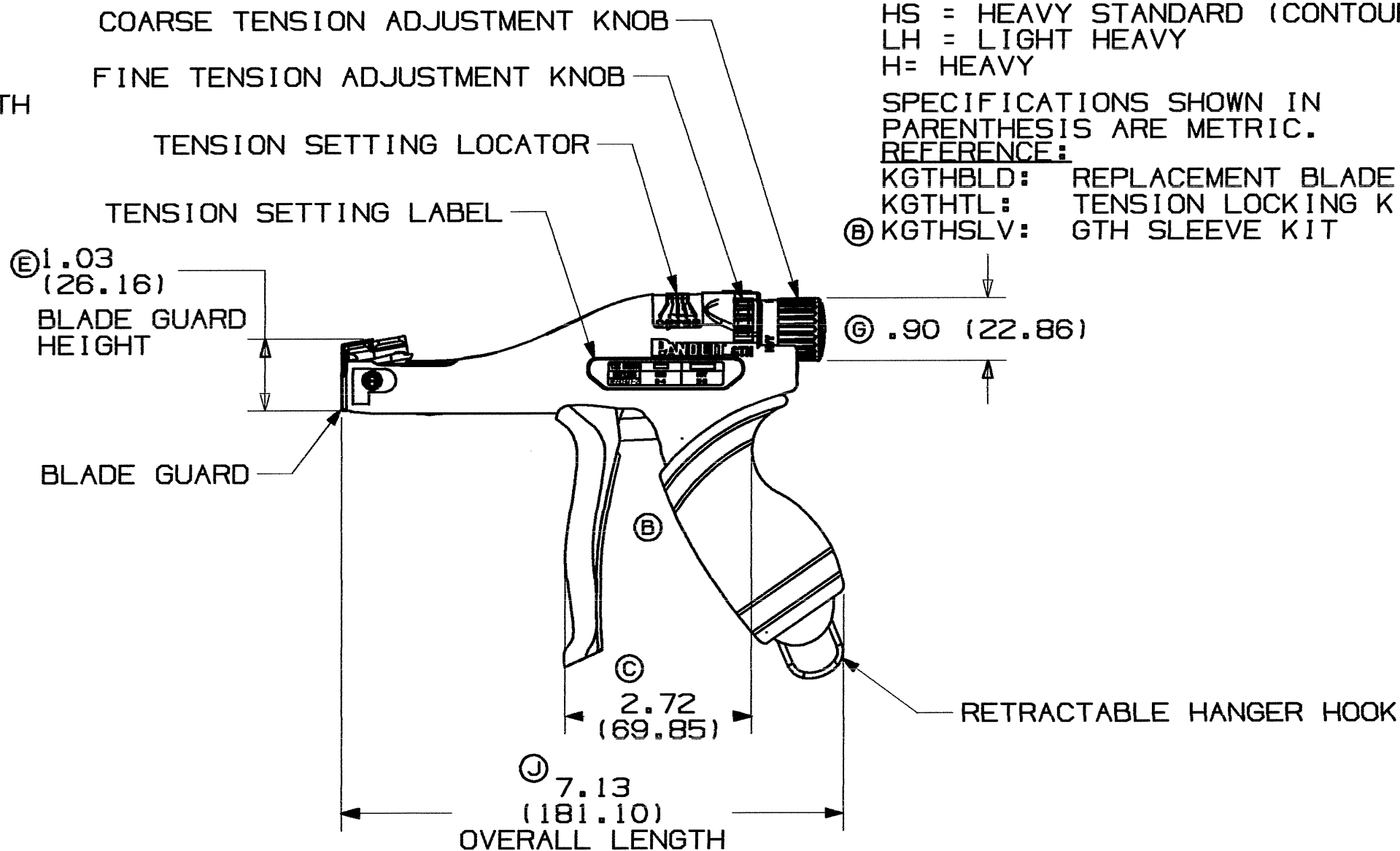
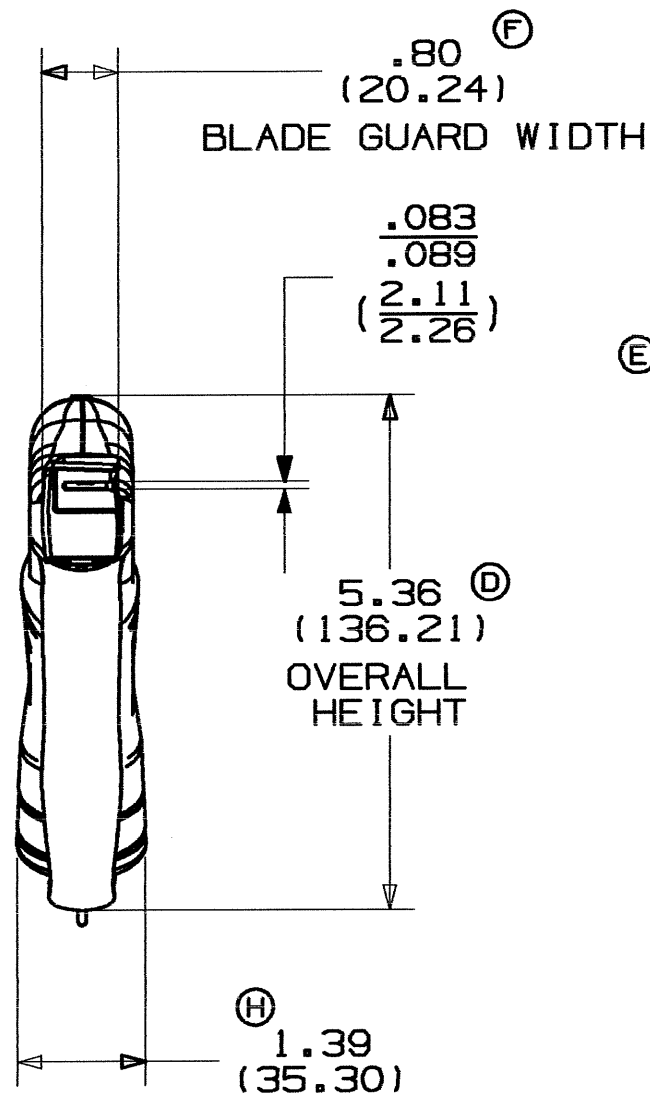
(K)

*THIS TOOL TIGHTENS CABLE TIES AND CUTS OFF EXCESS PORTION WHEN PRESET TENSION IS ATTAINED.

** CABLE TIE CROSS-SECTION CODE:
 S = STANDARD
 HS = HEAVY STANDARD (CONTOUR-TY)
 LH = LIGHT HEAVY
 H = HEAVY

SPECIFICATIONS SHOWN IN PARENTHESIS ARE METRIC. REFERENCE:

KGTHBLD: REPLACEMENT BLADE KIT
 KGHTL: TENSION LOCKING KIT
 (B) KGTHSLV: GTH SLEEVE KIT



CD FILENAME/LAYER R24651BA_DC_WH24651B01_03A

PANDUIT CORP TINLEY PARK, ILLINOIS

CD, GTH

UNLESS OTHERWISE SPECIFIED, DIMENSIONAL TOLERANCES ARE:
 (.X) ± .005
 (.XX) ± .002
 (.XXX) ± .001
 ANGLES ± .005

UNLESS OTHERWISE SPECIFIED, ALL DIMENSIONS ARE GIVEN IN INCHES, THIRD ANGLE PROJECTION

| REV | DATE | BY | CHK | DESCRIPTION | ECN | R | CUST | SUP |
|-----|----------|------|------|--|------|----|------|-----|
| 03 | 07-20-06 | BJPU | | CORRECTED TOOL WEIGHT WITH SLEEVE (K) | 4201 | -- | | |
| -- | 04-21-06 | PWG | | CORRECTED DIM'S: (C) - (G); UPDATE DIM'S: (H), (J) | ---- | -- | | |
| 02 | 04-21-06 | PWG | BJPU | ADDED: (B) DAMPENING SLEEVE & KIT P/N KGTHSLV; | 4201 | -- | LAH | |

DRAWN BY PWG
 DATE 4-21-06
 CHK'D BJPU

MAT'L: -----

SCALE 1/2" = 1"
 DRAWING NO. WH24651B01
 SIZE B